

## INSTALLATION INSTRUCTIONS KAWASAKI/SUZUKI FLYWHEELS

### STEP 1: BEFORE YOU BEGIN

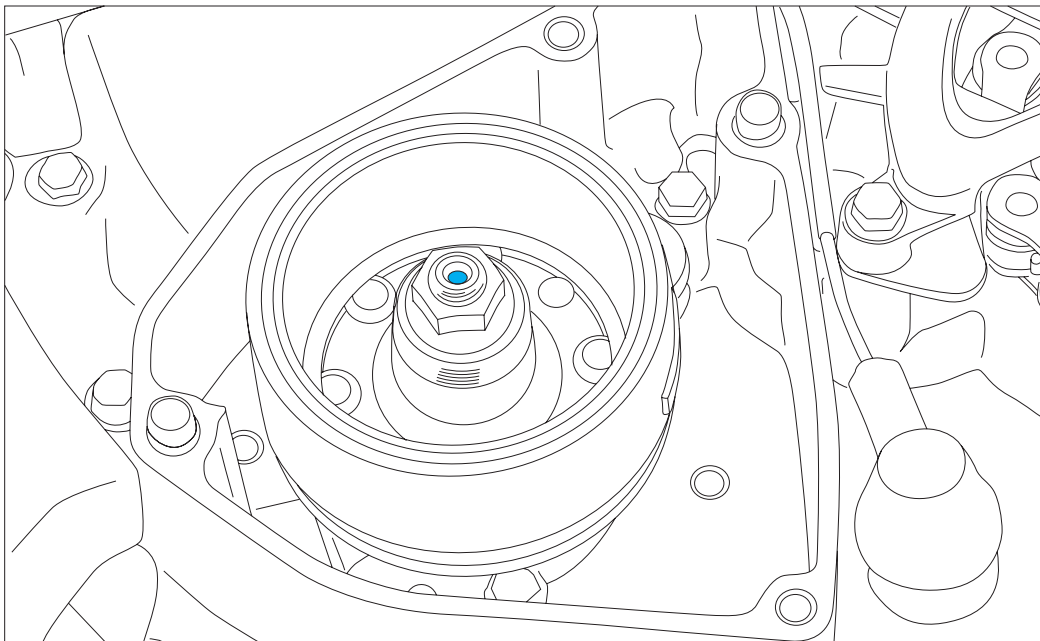
**WARNING:**

ALL TRAILTECH FLYWHEELS WILL CHANGE THE PERFORMANCE OF YOUR VEHICLE. It is highly recommended that you spend the time necessary to familiarize yourself with the performance changes, and become comfortable with the way the bike produces power with the new part.

You will need a Kawasaki KFX/Suzuki RMZ flywheel puller for this installation.  
An impact ratchet is also highly recommended.

### STEP 2: INSTALL FLYWHEEL

1. Drain 20% of the oil from the bike first.
2. Shut the gas supply off on the bike, then lay it over on its side. A small amount of gas will leak from the overflow tubes when the bike is first laid down.
3. Remove shifter.
4. Remove 4 bolts holding the side cover on.
5. Remove side case and lay it next to the main case. TAKE CARE - do not allow the two alignment pins to come loose from the side case. They CAN stay in the side case or in the main case, but you don't want them to fall out and get lost; or even worse, dropped in the oil for later consumption by the motor!!
6. Use a 17mm socket and impact ratchet to remove the flywheel retaining nut. If an air ratchet is not available, hold the rear wheel while removing the 17mm flywheel nut.
7. Use flywheel puller to remove the flywheel. *Note: There is a small hole on the shaft that allows oil flow to the crankshaft - using the correct flywheel puller will protect this hole.*
8. Install new flywheel and torque flywheel bolt to OEM torque specifications of 36ft lbs. Do not use thread locking compound.
9. Replace the side case. Use a new gasket if necessary. Torque side case bolts to 7 foot pounds. Do not overtighten these bolts!
10. Replace the shifter. Make sure the bolt threads in smoothly - cross threading is easy.



#### LIMITED WARRANTY

TRAILTECH INC. WARRANTS TRAIL TECH FLYWHEEL PRODUCTS TO BE FREE FROM DEFECTS IN MATERIAL AND WORKMANSHIP UNDER NORMAL USE AND IF PROPERLY INSTALLED FOR A PERIOD OF SIX MONTHS FROM DATE OF PURCHASE. IF FOUND TO BE DEFECTIVE AS MENTIONED ABOVE, IT WILL BE REPLACED OR REPAIRED. THIS SHALL CONSTITUTE THE SOLE REMEDY OF THE PURCHASER AND THE SOLE LIABILITY OF TRAILTECH INC. TO THE EXTENT PERMITTED BY LAW, THE FOREGOING IS EXCLUSIVE AND IN LIEU OF ALL OTHER WARRANTIES OR REPRESENTATIONS WHETHER EXPRESSED OR IMPLIED, INCLUDED ANY LIMITED WARRANTY OF MERCHANTABILITY OR FITNESS. IN NO EVENT SHALL TRAILTECH INC. BE LIABLE FOR SPECIAL OR CONSEQUENTIAL DAMAGES.