

INSTALLATION INSTRUCTIONS

HONDA CRF FLYWHEELS

STEP 1: BEFORE YOU BEGIN

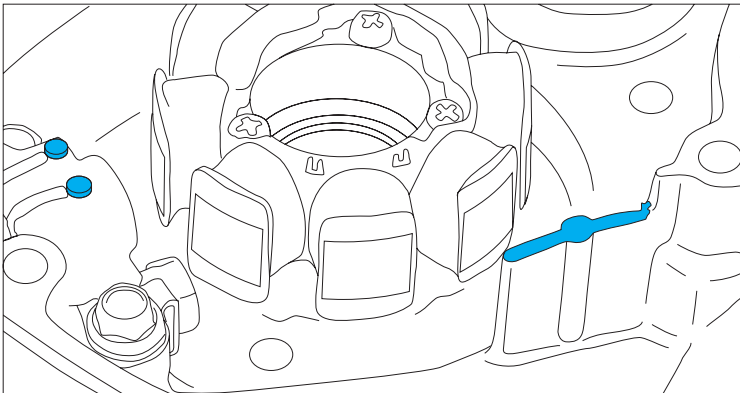
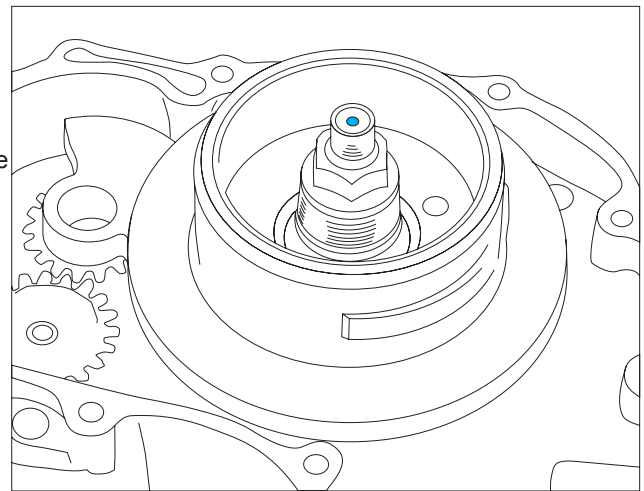
WARNING:

ALL TRAILTECH FLYWHEELS WILL CHANGE THE PERFORMANCE OF YOUR VEHICLE. It is highly recommended that you spend the time necessary to familiarize yourself with the performance changes, and become comfortable with the way the bike produces power with the new part.

You will need a Honda CRF flywheel puller for this installation.
 An impact ratchet is also highly recommended.

STEP 2: INSTALL FLYWHEEL

1. Drain 20% of the oil from the bike first.
2. Shut the gas supply off on the bike, then lay it over on its side. A small amount of gas will leak from the overflow tubes when the bike is first laid down.
3. Remove shifter.
4. Remove 8 bolts holding the side cover on (no need to remove one of the oil filter bolts).
5. Remove oil fill cap.
6. Disconnect clutch cable and lay cable out of the way.
7. Remove side case and lay it next to the main case to avoid removing any wires. TAKE CARE - do not allow the two alignment pins to come loose from the side case. They CAN stay in the side case or in the main case, but you don't want them to fall out and get lost; or, even worse, dropped in the oil for later consumption by the motor!!
8. Use a 17mm deep socket and impact ratchet to remove the flywheel retaining nut. If an air ratchet is not available, hold the rear wheel while removing the 17mm flywheel nut. *Note: If a Deep socket is not used damage to the crankshaft oiler may occur.*
9. Use flywheel puller to remove the flywheel. Remember to install protective nut on to crankshaft to avoid damage to end of flywheel. *Note: there is a small hole on the shaft that allows for oil flow to the crankshaft - using the correct flywheel puller will protect this hole.*
10. Install new flywheel and torque flywheel bolt to 47 foot pounds. Do not use thread locking compound. Use the shear pin on the crank to line up the keyway on the flywheel with the crankshaft.
11. For ease of assembly, connect clutch cable before installing bolts.
12. Replace the side case. Use a new gasket if necessary. Torque side case bolts to 7 foot pounds. Do not overtighten these bolts! Replace the shifter. Make sure the bolt threads in smoothly - cross threading is easy.


SIDECASE MODIFICATION:

CRF450 Flywheels: 6140-33, 6140L-33, 6140-35, 6140L-35
 The heaviest CRF flywheels (33-35 oz.) require modifications to the side case for installation. Please refer to image for guidance.

The two solder balls should have the tops filed flat. Stop filing if you start to see the wires in the solder. On the '04 CRF, the rib is made of a softer material than it is on the '02/'03 models. This drawing shows a '02 CRF side case modification in its completed state.

LIMITED WARRANTY

TRAILTECH INC. WARRANTS TRAIL TECH FLYWHEEL PRODUCTS TO BE FREE FROM DEFECTS IN MATERIAL AND WORKMANSHIP UNDER NORMAL USE AND IF PROPERLY INSTALLED FOR A PERIOD OF SIX MONTHS FROM DATE OF PURCHASE. IF FOUND TO BE DEFECTIVE AS MENTIONED ABOVE, IT WILL BE REPLACED OR REPAIRED. THIS SHALL CONSTITUTE THE SOLE REMEDY OF THE PURCHASER AND THE SOLE LIABILITY OF TRAILTECH INC. TO THE EXTENT PERMITTED BY LAW, THE FOREGOING IS EXCLUSIVE AND IN LIEU OF ALL OTHER WARRANTIES OR REPRESENTATIONS WHETHER EXPRESSED OR IMPLIED, INCLUDED ANY LIMITED WARRANTY OF MERCHANTABILITY OR FITNESS. IN NO EVENT SHALL TRAILTECH INC. BE LIABLE FOR SPECIAL OR CONSEQUENTIAL DAMAGES.